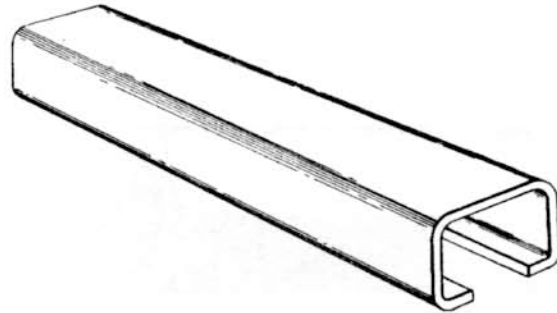


CHAN - ALL * FIGURE 1000

* **SIZE AVAILABILITY:** 1-3/4" x 1-3/16".

* **FINISH:** Black, Galvanized or Stainless Steel.

- This Chan-All is made from heavy, 11 gauge, low carbon steel.
- It is furnished plain with no holes or slots.
- Stainless steel is available as a special order.
- Modern Fig. 1001, 1002, 1003, 1001A, 1002A and 1003A iron pipe or copper tube split and one piece clamps, are the only style of clamps that can be used with this Chan-All.



* **ORDERING:** Specify length, size, figure number, name and finish.

NOTE: See Modern Fig. 1000A (1-5/8" x 1-5/8" plain) Chan-All in Modern's Chan-All catalog for additional information.

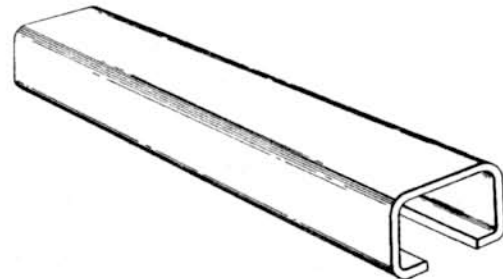
Fig. 1000	12"	18"	24"	30"	36"	42"	48"	54"	60"	72"	84"	96"	108"	120"	144"	192"
			C	U	T		L	E	N	G	T	H	S			
Fig. 1000B	12"	18"	24"	30"	36"	42"	48"	54"	60"	72"	84"	96"	108"	120"	144"	192"

CHAN - ALL * FIGURE 1000B

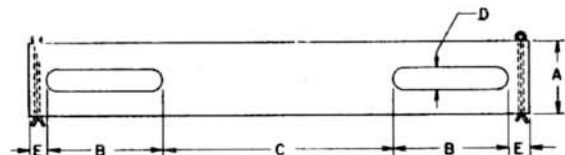
* **SIZE AVAILABILITY:** 1-3/4" x 1-3/16".

* **FINISH:** Black, Galvanized or Stainless Steel.

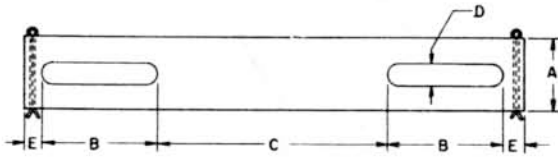
- This Chan-All is made from heavy, 11 gauge, low carbon steel.
- It is furnished with 3" holes (2 per foot) or slots (specify).
- Stainless steel is available as a special order.
- Modern Fig. 1001, 1002, 1003, 1001A, 1002A and 1003A iron pipe or copper tube split and one piece clamps, are the only style of clamps that can be used with this Chan-All.
- See Modern's Chan-All catalog for additional information.



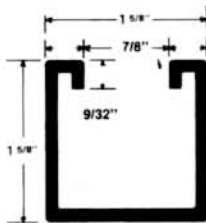
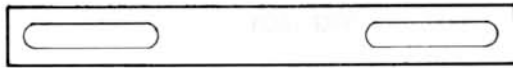
* **ORDERING:** Specify length, size, figure number, name and finish.



CHAN-ALL FIGURE 1000E



- * **SIZE AVAILABILITY:** 1-5/8" X 1-5/8".
- * **FINISH:** Black, Galvanized or Stainless Steel.



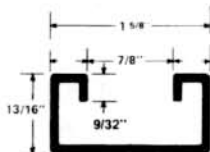
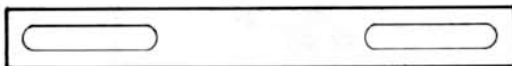
- This Chan-All is made from heavy 12 gauge, low carbon material.
- It can be furnished plain or with 3" elongated slots (2 per foot).
- Stainless steel is available by special order.
- See Modern's Chan-All catalog for additional information.

- * **ORDERING:** Specify length, size, figure number, name and finish.

NOTE: FIGURE 1000N CHAN-ALL NUT IS ON PAGE 119

Fig.1000E	12"	18"	24"	30"	36"	42"	48"	54"	60"	72"	84"	96"	108"	120"	144"	192"
			C	U	T		L	E	N	G	T	H	S			
Fig.1000F	12"	18"	24"	30"	36"	42"	48"	54"	60"	72"	84"	96"	108"	120"	144"	192"

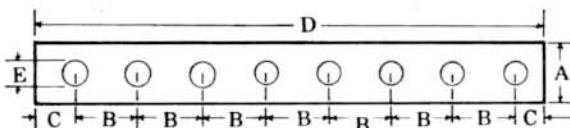
CHAN-ALL FIGURE 1000F



- * **SIZE AVAILABILITY:** 1-5/8" x 13/16".
- * **FINISH:** Black, Galvanized or Stainless Steel.

- This Chan-All is made from heavy 14 gauge, low carbon material.
- It can be furnished plain or with 3" elongated slots (2 per foot).
- Stainless steel is available by special order.
- See Modern's Chan-All catalog for additional information.

- * **ORDERING:** Specify length, size, figure number, name and finish.



FOR IRON PIPE * SPLIT

* **SIZE AVAILABILITY:** 3/8" thru 8".

* **FINISH:** Galvanized.

- This Chan-All clamp is designed to fit **only** Modern Fig. 1000E or 1000F Chan-All series.
- I.D. sizes of this clamp is made to fit iron pipe.
- When the ring is inserted into the Chan-All slot and tightened on the pipe, it will hold the pipe firmly against the Chan-All which will prevent movement in any direction.
- See Modern's Chan-All catalog for additional information.
- For copper tube sizes see Modern Fig. 1003E.

* **ORDERING:** Specify size, figure number and name.

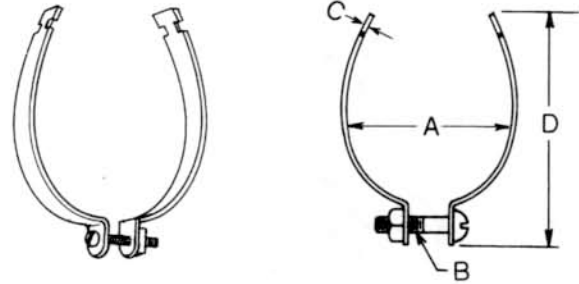


FIG 1001E

SIZE	A	B	C	D	WT/HD	MAX LOAD
3/8"	.675"	1/4" X 1"	1-1/8" X .050"	1-3/4"	6	100
1/2"	.840"	1/4" X 1"	1-1/8" X .050"	1-13/16"	6	100
3/4"	1.05"	1/4" X 1"	1-1/8" X .050"	2-3/16"	7-1/2	100
1"	1.315"	1/4" X 1"	1-1/8" X .050"	2-1/2"	10	100
1-1/4"	1.660"	1/4" X 1"	1-1/8" X .050"	2-15/16"	12-1/4	100
1-1/2"	1.900"	1/4" X 1-1/4"	1-1/8" X .065"	3-1/4"	18	150
2"	2.375"	1/4" X 1-1/4"	1-1/8" X .065"	3-11/16"	20	150
2-1/2"	2.875"	1/4" X 1-1/4"	1-1/8" X .083"	4-1/8"	38	200
3"	3.5"	1/4" X 1-1/4"	1-1/8" X .083"	4-5/8"	46	200
3-1/2"	3.84"	1/4" X 1-1/4"	1-1/8" X .083"	5-1/8"	60	200
4"	4.6"	1/4" X 1-1/4"	1-1/8" X .083"	5-5/8"	66	200
5"	5.65"	3/8" X 1-1/4"	1-1/8" X .125"	6-9/16"	81	250
6"	6.60"	3/8" X 1-1/4"	1-1/8" X .125"	7-5/8"	101	250
8"	8.60"	3/8" X 1-1/4"	1-1/8" X .125"	8-5/8"	125	250

FOR IRON PIPE * SPLIT

* **SIZE AVAILABILITY:** 3/8" thru 2".

* **FINISH:** Galvanized.

- This Chan-All clamp is designed to fit **only** Modern Fig. 1000E or 1000F Chan-All series.
- I.D. sizes of this clamp is made to fit thin wall conduit.
- When the ring is inserted into the Chan-All slot and tightened on the pipe, it will hold the pipe firmly against the Chan-All which will prevent movement in any direction.
- See Modern's Chan-All catalog for additional information.
- For copper tube sizes see Modern Fig. 1003E.

* **ORDERING:** Specify size, figure number and name.

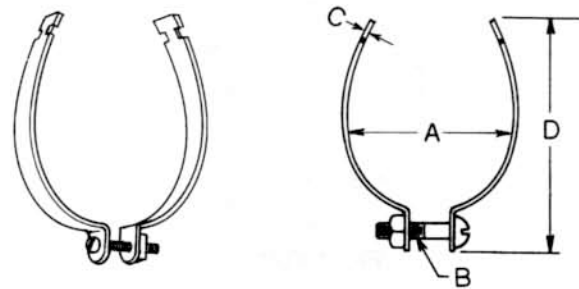


FIG 1002E

SIZE	A	B	C	D	WT PER HD	MAX LOAD
3/8"	.577"	1/4" X 1"	1-1/8" X .050"	1-1/8"	6	100
1/2"	.706"	1/4" X 1"	1-1/8" X .050"	1-3/4"	6	100
3/4"	.922"	1/4" X 1"	1-1/8" X .050"	2-1/8"	7-1/2	100
1"	1.163"	1/4" X 1"	1-1/8" X .050"	2-1/2"	10	100
1-1/4"	1.503"	1/4" X 1"	1-1/8" X .050"	2-11/16"	11	100
1-1/2"	1.738"	1/4" X 1-1/4"	1-1/8" X .065"	2-15/16"	12-1/4	150
2"	2.195"	1/4" X 1-1/4"	1-1/8" X .065"	3-7/16"	19	150

FOR IRON PIPE * CADMIUM PLATED

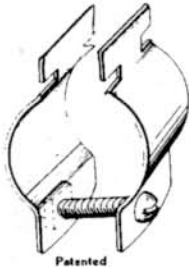


FIG. 1001A

- * **SIZE AVAILABILITY:** 3/8" thru 6".
- * **FINISH:** Galvanized.
 - This split Chan-All clamp is designed to fit Modern's Fig. 1000B Chan-All.
 - I.D. sizes of this clamp is made to fit iron pipe.
 - For copper tube sizes, see Modern Fig. 1001A.
 - See Modern's Chan-All catalog for additional information.
- * **ORDERING:** Specify size, figure number and name.

SIZE	A	B	C	D	WT/HD	STD PACK
3/8"	0.65"	1/4"X 1"	1-1/8"X .050"	1-3/4"	6	100
1/2"	0.840"	1/4"X 1"	1-1/8"X .050"	1-13/16"	6	100
3/4"	1.05"	1/4"X 1"	1-1/8"X .050"	2-3/16"	7.5	100
1"	1.315"	1/4"X 1"	1-1/8"X .050"	2-1/2"	10	100
1-1/4"	1.660"	1/4"X 1"	1-1/8"X .050"	2-15/16"	12.25	100
1-1/2"	1.900"	1/4"X 1-1/4"	1-1/8"X .065"	3-1/4"	18	100
2"	2.375"	1/4"X 1-1/4"	1-1/8"X .065"	3-11/16"	20	100
2-1/2"	2.875"	1/4"X 1-1/4"	1-1/8"X .083"	4-1/8"	38	50
3"	3.5"	1/4"X 1-1/4"	1-1/8"X .083"	4-5/8"	46	50
3-1/2"	3.875"	1/4"X 1-1/2"	1-1/8"X .083"	5-3/4"	65	50
4"	4-5/8"	1/4"X 1-1/2"	1-1/8"X .083"	6-1/4"	67	50
5"	5-9/16"	1/4"X 1-1/2"	1-1/8"X .083"	8"	75	50
6"	6-5/8"	1/4"X 1-1/2"	1-1/8"X .083"	9-1/4"	95	50

FOR IRON PIPE * CADMIUM PLATED

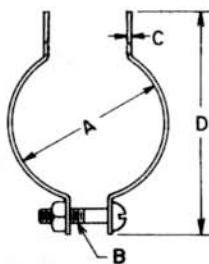


FIG. 1002A

- * **SIZE AVAILABILITY:** 3/8" thru 2".
- * **FINISH:** Galvanized.
 - This split Chan-All clamp is designed to fit Modern's Fig. 1000B Chan-All.
 - I.D. sizes of this clamp is made to fit conduit piping.
 - See Modern's Chan-All catalog for additional information.
- * **ORDERING:** Specify size, figure number and name.

SIZE	A	B	C	D	WT. PER HD.	STD PACK
3/8"	.577"	1/4"X 1"	1-1/8"X .050"	1-1/2"	6	100
1/2"	.706"	1/4"X 1"	1-1/8"X .050"	1-3/4"	6	100
3/4"	.922"	1/4"X 1"	1-1/8"X .050"	2-1/8"	7.5	100
1"	1.163"	1/4"X 1"	1-1/8"X .050"	2-1/2"	10	100
1-1/4"	1.503"	1/4"X 1"	1-1/8"X .050"	2-11/16"	11	100
1-1/2"	1.738"	1/4"X 1-1/4"	1-1/8"X .065"	2-15/16"	12.25	100
2"	2.195"	1/4"X 1-1/4"	1-1/8"X .065"	3-7/16"	19	100

CT CHAN-ALL RING

- * **SIZE AVAILABILITY:** 1/2" thru 3".
- * **FINISH:** Copper Plated.
- This Chan-All clamp is designed to fit **only** Modern Fig 1000 or 1000B Chan-All series.
- I.D. sizes of this clamp is made to fit copper tube.
- When the ring is inserted into the Chan-All slot and tightened on the tube, it will hold the tube firmly against the Chan-All which will prevent movement in any direction.
- See Modern's Chan-All catalog for additional information.
- For iron pipe sizes, see Modern Fig. 1001.
- * **ORDERING:** Specify tube size, figure number and name.

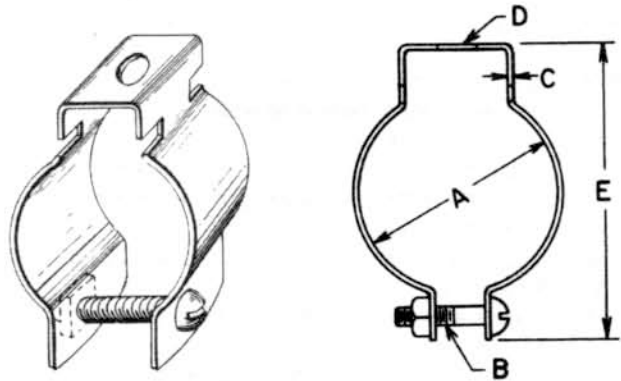


FIG. 1003

TUBE SIZE	A	B	C	1003 D	WEIGHT PER HD	STD PACK
1/2"	.625"	1/4" X 1"	1-1/8" X .050"	1/4"	6	100
3/4"	.875"	1/4" X 1"	1-1/8" X .050"	3/8"	7-1/2	100
1"	1.125"	1/4" X 1"	1-1/8" X .050"	3/8"	11	100
1-1/4"	1.375"	1/4" X 1"	1-1/8" X .050"	3/8"	11	100
1-1/2"	1.625"	1/4" X 1-1/4"	1-1/8" X .050"	3/8"	12	100
2"	2.125"	1/4" X 1-1/4"	1-1/8" X .065"	3/8"	18	100
2-1/2"	2.625"	1/4" X 1-1/4"	1-1/8" X .083"	3/8"	18	100
3"	3.125"	1/4" X 1-1/4"	1-1/8" X .083"	3/8"	30	100

SPLIT CT CHAN-ALL RING

- * **SIZE AVAILABILITY:** 1/2" thru 6".
- * **FINISH:** Copper Plated.
 - This split Chan-All clamp is designed to fit **only** Modern Fig 1000 or 1000B Chan-All series.
 - I.D. sizes of this clamp is made to fit copper tube.
 - When the ring is inserted into the Chan-All slot and tightened on the tube, it will hold the tube firmly against the Chan-All which will prevent movement in any direction.
 - The split design of this clamp allows for tubing installations in between existing lines by inserting and twisting the clamp into the Chan-All section.
 - See Modern's Chan-All catalog for additional information.
 - For iron pipe sizes, see Modern Fig. 1001A.
- * **ORDERING:** Specify tube size, figure number and name.

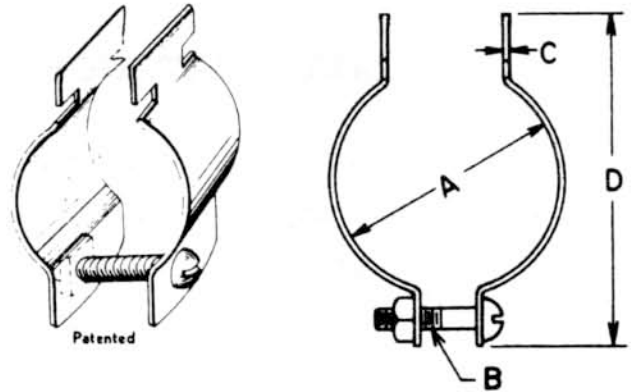


FIG. 1003A

SPLIT CT CHAN-ALL RING

- * **SIZE AVAILABILITY:** 1/2" thru 6".
- * **FINISH:** Copper Plated.
 - This split Chan-All clamp is designed to fit **only** Modern Fig 1000E or 1000F Chan-All series.
 - I.D. sizes of this clamp is made to fit copper tube.
 - When the ring is inserted into the Chan-All slot and tightened on the tube, it will hold the tube firmly against the Chan-All which will prevent movement in any direction.
 - The split design of this clamp allows for tubing installations in between existing lines by inserting and twisting the clamp into the Chan-All section.
 - See Modern's Chan-All catalog for additional information.
 - For iron pipe sizes, see Modern Fig. 1001E.
- * **ORDERING:** Specify tube size, figure number and name.

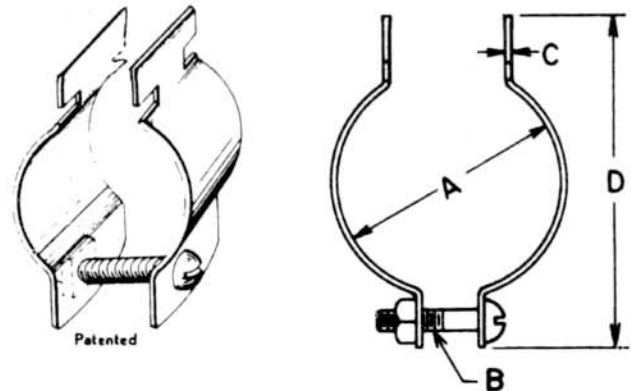


FIG. 1003E

TUBE SIZE	A	B	C	1003A D	1003E D	WEIGHT PER HD	STD PACK
1/2"	.625"	1/4" X 1"	1-1/8" X .050"	1-3/4"	2"	6	100
3/4"	.875"	1/4" X 1"	1-1/8" X .050"	2-1/8"	2-3/8"	7-1/2	100
1"	1.125"	1/4" X 1"	1-1/8" X .050"	2-3/8"	2-3/4"	11	100
1-1/4"	1.375"	1/4" X 1"	1-1/8" X .050"	2-5/8"	3"	11	100
1-1/2"	1.625"	1/4" X 1-1/4"	1-1/8" X .050"	2-7/8"	3-1/8"	12	100
2"	2.125"	1/4" X 1-1/4"	1-1/8" X .065"	3-3/8"	3-3/4"	18	100
2-1/2"	2.625"	1/4" X 1-1/4"	1-1/8" X .083"	3-3/4"	4-1/2"	18	100
3"	3.125"	1/4" X 1-1/4"	1-1/8" X .083"	4-3/8"	5"	30	100
3-1/2"	3.625"	1/4" X 1-1/4"	1-1/8" X .083"	5-1/4"	5-1/2"	50	50
4"	4.125"	1/4" X 1-1/4"	1-1/8" X .083"	5-1/2"	6-1/4"	61	25
5"	5"	1/4" X 1-1/4"	1-1/8" X .083"	6-1/2"	7"	87	25
6"	6"	1/4" X 1-1/2"	1-1/8" X .083"	8-1/8"	8-1/4"	95	25