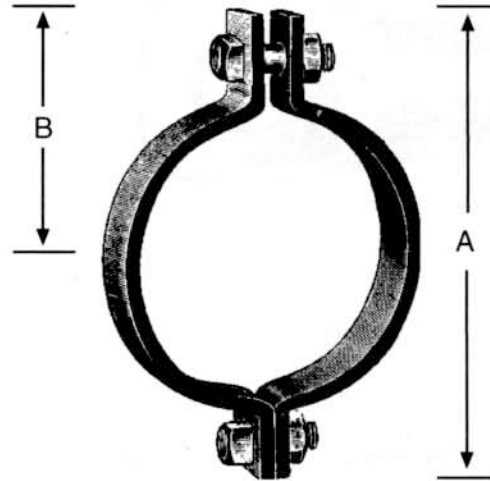


## SECTIONAL PIPE HANGERS

\* **SIZE AVAILABILITY:** 1/2" thru 24" OD.

\* **FINISH:** Black, Galvanized, Prime Painted and Red Oxide in all sizes.

- This pipe clamp is used extensively on power plant work; for steam and hot water mains.
- Made from carbon steel only.
- It's used on expansion and contraction lines as well as cold water lines.
- It clamps tightly to the pipe and is generally used where no insulation is needed.
- Hanging application is installed with a heavy weld less eye nut or eye bolt.
- Factory Mutual approved sizes 2" thru 8".
- Complies with Federal Specification WW-H-171E (type 4).
- Complies with Manufacturers Standardization Society SP 69 (Type 4).



\* **ORDERING:** Specify pipe size, figure number, name and finish.

FIG. 85

PIPE SIZE	STOCK SIZE	A	B	BOLT SIZE	WEIGHT PER HD	MAXIMUM LOAD AT 650 F
1/2"	1/8" X 1"	3"	1-1/2"	5/16"	27	500
3/4"	1/8" X 1"	3"	1-1/2"	5/16"	27	500
1"	1/8" X 1"	3-1/4"	1-5/8"	5/16"	34	500
1-1/4"	1/8" X 1"	3-3/4"	1-7/8"	5/16"	34	500
1-1/2"	1/8" X 1"	3-3/4"	1-7/8"	5/16"	55	700
2"	1/4" X 1"	4-1/4"	2-1/8"	3/8"	90	1000
2-1/2"	1/4" X 1"	5-1/8"	2-1/2"	3/8"	120	1000
3"	1/4" X 1"	5-3/4"	2-7/8"	3/8"	130	1000
3-1/2"	1/4" X 1"	6-1/2"	3-1/4"	3/8"	155	1000
4"	1/4" X 1-1/4"	7-1/8"	3-1/2"	1/2"	250	1000
5"	1/4" X 1-1/4"	8-1/8"	4"	1/2"	275	1000
6"	3/8" X 1-1/2"	9-7/8"	4-7/8"	5/8"	475	1500
8"	3/8" X 1-1/2"	12-1/8"	6"	3/4"	600	1500
10"	1/2" X 2"	14-7/8"	7-3/8"	3/4"	1200	2200
12"	1/2" X 2"	16-3/4"	8-1/4"	3/4"	1500	2200
14" OD	1/2" X 2-1/2"	18-1/4"	9"	3/4"	1675	2400
16" OD	1/2" X 2-1/2"	20-1/4"	10"	3/4"	1800	2400
18" OD	1/2" X 2-1/2"	23-1/8"	11-1/2"	1"	2900	2800
20" OD	5/8" X 3"	25-1/4"	12-1/2"	1-1/8"	3200	2800
24" OD	5/8" X 3"	30-1/4"	15"	1-1/4"	3800	2800

**EXTENSION PIPE CLAMP FOR TUBE**

\* **SIZE AVAILABILITY:** 1/2" thru 5".

\* **FINISH:** Copper Plated or PVC Coated.

- The extension riser clamp is used for supporting copper tube risers.
- This clamp is made from low carbon steel and copper plated.
- The design of this clamp allows for distributing pipe loads over a greater area.
- By fastening the clamp per bolt torque, industry standards, it will clamp tightly to the copper tube and can be placed anywhere along the length of the tube.
- Recommended use with stationary tube lines.
- This copper tube clamp can be used on insulated tube as well as bare copper pipe.
- Complies Federal Specifications WW-H-171e (Type 8).
- Complies with Manufacturers Standardization Society SP-69 (Type 8).

\* **ORDERING:** Specify tube size, figure number, name and finish.

**FIG. 28**

TUBE SIZE	STOCK SIZE	BOLT SIZE	WEIGHT PER HUNDRED	MAXIMUM LOAD
1/2"	1/8" x 1"	5/16" x 1-1/2"	70	50
3/4"	1/8" x 1"	5/16" x 1-1/2"	72	50
1"	1/8" x 1"	5/16" x 1-1/2"	75	50
1-1/4"	1/8" x 1"	5/16" x 1-1/2"	77	50
1-1/2"	1/8" x 1"	5/16" x 1-1/2"	80	50
2"	1/8" x 1-1/4"	5/16" x 1-1/2"	105	100
2-1/2"	3/16" x 1"	3/8" x 1-1/2"	130	150
3"	3/16" x 1"	3/8" x 2"	145	150
3-1/2"	3/16" x 1"	3/8" x 2"	150	150
4"	3/16" x 1"	3/8" x 2"	162	150
5"	3/16" x 1-1/4"	3/8" x 2"	180	200

**EXTRA HEAVY EXTENSION****PIPE CLAMPS for RISERS**

- \* **SIZE AVAILABILITY:** 3/4" thru 8".
- \* **FINISH:** Black, Galvanized.
  - This clamp is similar to Modern figure 500 but made from heavier stock.
  - It is used for supporting vertical pipe on floor levels of multiple level buildings.
  - The clamp used in this vertical pipe application is not to be used with hanger rods.
  - The I.D. of the pipe clamp is designed for steel pipe.
  - A pipe coupling should be used above this clamp if possible.
  - When clamping this bolt the maximum recommended applied torque used should be per industry standards.
  - Complies with Federal Specifications WW-H- 171E, Type 8.
  - Complies with Manufacturers Standardization Society SP-69 (Type 8).

- \* **ORDERING:** Specify pipe size, figure number, name and finish.

FIG. 505

PIPE SIZE	STOCK SIZE	BOLT SIZE	END TO END MEASURE	WT PER HD	MAX LOAD-lbs
3/4"	1/4" x 1-1/4"	3/8"	10"	185	200
1"	1/4" x 1-1/4"	3/8"	10"	185	200
1-1/4"	3/8" x 1-1/2"	1/2"	10"	300	250
1-1/2"	3/8" x 1-1/2"	1/2"	10-1/4"	300	250
2"	3/8" x 1-1/2"	1/2"	10-3/4"	430	300
2-1/2"	3/8" x 1-1/2"	1/2"	11-1/2"	440	300
3"	3/8" x 1-1/2"	1/2"	12-1/4"	450	400
3-1/2"	3/8" x 1-1/2"	1/2"	12-3/4"	500	400
4"	3/8" x 1-1/2"	1/2"	13"	500	500
5"	3/8" x 2"	5/8"	14-1/2"	750	700
6"	3/8" x 2"	5/8"	15-5/8"	825	700
8"	3/8" x 2"	5/8"	18-1/2"	1000	800

## UNDERGROUND CLAMP SOCKET WASHER

- \* **SIZE AVAILABILITY:** Standard for all underground pipe clamps.
- \* **FINISH:** Black, Galvanized, Prime Painted and Red Oxide.
  - The socket washer is made from steel with 13/16" holes to accommodate clamping tie rods.
  - This socket washer is only used with the figure 503 underground pipe clamp.
  - When installed, the projecting lug of the washer bears against the bolt. This prevents the washer and connecting rod from slipping off the clamp.
  - Using this washer allows for a tighter clamping fit on water main lines where pressure is more excessive.
- \* **ORDERING:** Specify size, figure number and finish.

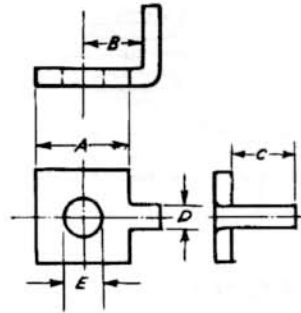
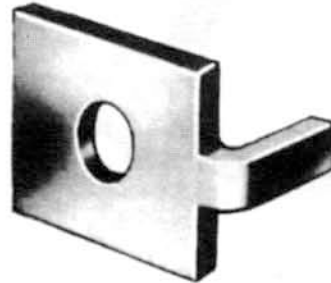


FIG. 504

SIZE	A	B	C	D	E	WT PER HD
# 1	2-1/2"	1-3/8"	1-1/8"	5/8"	13/16"	50

## UNDERGROUND PIPE CLAMP

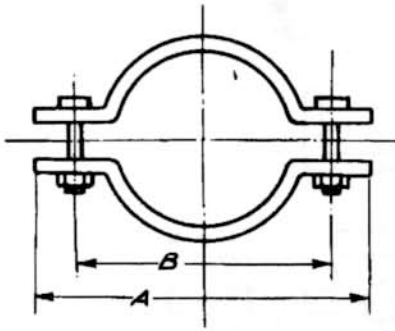


FIG. 503

- \* **SIZE AVAILABILITY:** 3" thru 14".
- \* **FINISH:** Black, Galvanized.
  - This underground pipe clamp is made from heavy 1/2" x 2" material and is furnished with extra long connecting bolts.
  - This clamp is used to help prevent connecting joints in underground water lines from separating due to excessive pressure.
  - Two clamps are generally used on each side of a connecting joint and drawn together with 3/4" threaded rod (see Modern fig. 156).
  - When the 2 clamp application is used, order Modern figure 504, Socket Washer.
- \* **ORDERING:** Specify clamp size, figure number, name and finish.

PIPE SIZE	A	B	STOCK SIZE	BOLT SIZE	WT PER HD.
3"	10-1/8"	6-3/8"	1/2" x 2"	5/8" x 3-1/2"	600
4"	12-1/8"	8-1/4"	1/2" x 2"	5/8" x 3-1/2"	800
6"	14-3/8"	10-3/8"	1/2" x 2"	5/8" x 3-1/2"	1000
8"	16-5/8"	13-1/8"	1/2" x 2"	5/8" x 3-1/2"	1200
10"	19-3/4"	15-3/4"	1/2" x 2"	5/8" x 3-1/2"	1400
12"	21-3/4"	17-3/4"	1/2" x 2"	5/8" x 3-1/2"	1600
14"	25"	20-1/4"	1/2" x 2"	5/8" x 3-1/2"	1800

## EXTENSION PIPE CLAMP FOR RISERS

\* **SIZE AVAILABILITY:** 1/2" thru 24".

\* **FINISH:** Black, Galvanized, Prime Painted and Red Oxide.

- The Extension Riser Clamp is used for supporting steel pipe risers.
- The design of this clamp allows for distributing pipe loads over a greater area.
- By fastening the clamp per bolt torque per industry standards, it will clamp tightly to the pipe and can be placed anywhere along the length of the pipe.
- Installation is preferred below a coupling or the welded lugs that are located on a steel pipe.
- Extension riser clamps 24" overall are also regularly carried in stock.
- Other overall lengths can be manufactured to your specifications.
- This pipe clamp can be used on insulated pipe as well as bare pipe.
- Complies with Federal Specification WW-H-171E (Type 8).
- Complies with Manufacturers Standardization Society SP-69 (Type 8).



\* **ORDERING:** Specify size, figure number and finish.

**FIG. 500**

PIPE SIZE	SIZE STOCK	SIZE BOLT	LENGTH END TO END	WEIGHT PER HD	MAXIMUM LOAD
1/2"	1/8" X 1-1/4"	3/8"	10"	120	210
3/4"	1/8" X 1-1/4"	3/8"	10"	120	210
1"	1/8" X 1-1/4"	3/8"	10"	120	210
1-1/4"	1/8" X 1-1/4"	3/8"	10"	165	220
1-1/2"	1/8" X 1-1/4"	3/8"	10-1/4"	165	220
2"	1/8" X 1-1/4"	3/8"	10-3/4"	175	250
2-1/2"	1/4" X 1-1/4"	3/8"	11-1/2"	200	300
3"	1/4" X 1-1/4"	3/8"	12-1/4"	200	500
3-1/2"	1/4" X 1-1/4"	3/8"	12-3/4"	265	550
4"	1/4" X 1-1/4"	3/8"	13"	290	700
5"	1/4" X 2"	3/8"	14-1/2"	400	1100
6"	1/4" X 2"	1/2"	15-5/8"	600	1500
8"	1/4" X 2"	1/2"	18-1/2"	700	2000
10"	3/8" X 2"	5/8"	20-3/4"	1200	2000
12"	1/2" X 2"	5/8"	22-3/4"	1600	2500
14" OD	1/2" X 2"	5/8"	24"	1775	2500
16" OD	1/2" X 2"	3/4"	26"	2000	2500
18" OD	1/2" X 2-1/2"	1"	28"	3100	2750
20" OD	5/8" X 3"	1-1/8"	30"	3400	2750
24" OD	5/8" X 3"	1-1/8"	35"	3800	3000